

## WV II Heat Valve

### **Reliable heat valve**

Senmatic's heat valve WV II is a 3-way regulating valve for controlling hot water heating systems. WV II is made to meet the special requirements of heat regulation in greenhouses and with special emphasis on reliability.

WV II has a reliable electric motor which can be supplied with connection for 24 or 220/240 V. The end stop is designed in such a way that it also functions as overload protector.



- **Overload protector**
- **Manual operation**

Consequently breakdowns can be avoided in case the cone is jammed by foreign bodies in the water, e.g. iron scales. If the power fails, the valve can be controlled by a simple manual operation.

WV II can be supplied in standard sizes as threaded valves with dimensions 15, 20, 25, 32 mm, and flanged valves with dimensions 32, 40, 50, 65, 80, 100, 125 and 150 mm.

All counter flanges conform to DIN 2633.

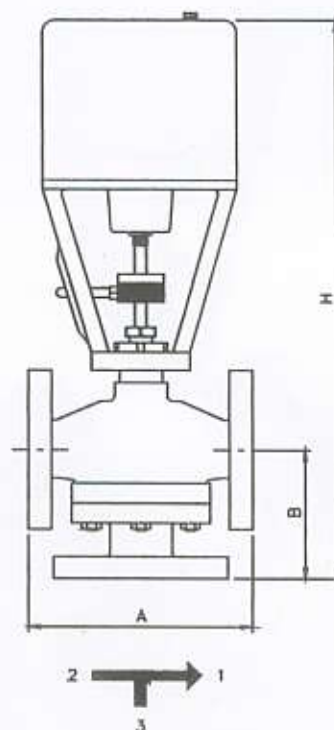
# Specifications

# WV II Heat Valve

<b>Supply voltage:</b>	All heat valves are supplied with 24 or 230 V AC
<b>Pressure differential:</b>	0.1% of Kv.
<b>Material:</b>	
<b>Flanged valves:</b>	Cast iron, pressure stage TN 10
<b>Threaded valves:</b>	Bronze, pressure stage TN 10
<b>Packing:</b>	O-ring (Viton and self-adjustin teflon)

Type	Dimension (mm)	Dimension (mm)			Kv	Pmax. mVS
		A	B	H		
WV II - 15 <sup>*)</sup>	15	70	70	455	2.7	100
WV II - 20 <sup>*)</sup>	20	80	70	455	5.6	100
WV II - 25 <sup>*)</sup>	25	90	70	461	10	100
WV II - 32 <sup>*)</sup>	32	180	115	473	18	63
WV II - 32	32	180	115	502	18	63
WV II - 40	40	200	125	515	27	60
WV II - 50	50	220	145	550	39	38
WV II - 70	70	260	170	585	63	39
WV II - 80	80	280	195	610	100	26
WV II - 100	100	320	200	640	160	18
WV II - 125	125	370	230	695	215	15
WV II - 150	150	420	250	735	310	15

<sup>\*)</sup> Threaded valve - the other are flanged valves



Specifications subject to change without notice.

Distributor:

Head office:



**Senmatic A/S**  
 DGT-Volmatic  
 Industrivej 8  
 DK-5471 Sønderlø  
 Denmark  
 Tel: +45 64 89 22 11  
 Fax: +45 64 89 33 11  
 e-mail: dgt@senmatic.com  
 www.senmatic.com